



Adding video to your PA 64

In the past, adding video to your PA system or offering Karaoke in vans and buses, wasn't impossible... but it wasn't very easy. Generally, you'd replaced the stereo with a DVD player, but luckily today the ability to play video directly from mobile devices, like tablets or phones makes things MUCH easier!

Whether you want to play video to enhance your tour experience, advertise your other tours, play a recorded safety message, or offer karaoke, with today's technology it's quite easy.

It doesn't matter if your stereo is factory or aftermarket or you use an apple or android based mobile device, our PA 64 not only allows you to add a microphone, but also be the interface for the sound from your video.

System planning

The concept is simple, connect your phone to your video monitor using readily available HDMI adaptor cables. Next, connect the monitor's audio output (RCA or headphone) into the PA 64. Simple!

Steps to make it happen

1. The first part is to install a PA 64 between your stereo and speakers. This gives you the ability to connect microphones to your sound system and to play the audio from your monitor. If your stereo is factory, we offer a growing number of plug and play T harnesses to make your installation easy. If your stereo is aftermarket, the wiring is minimal and we have the diagrams online to make it easy.
2. The choice of your video monitor is VERY important. It doesn't matter how it mounts in your vehicle, solid or flip down.
 - It MUST be 12V. Do not use a 110V Smart TV with an AC inverter, as power inverters can introduce noise into the system and without an internet connection, there aren't any benefits to the Smart TV features.
 - Your video monitor must have HDMI input so you can connect your mobile device directly.
 - Your video monitor also needs an audio output, like RCA or 3.5mm headphone, NOT digital IR output.

3. Buy the HDMI adaptor cable for your make of mobile device. These are readily available online, but we suggest to buy the proper cable directly from your device provider as it guarantees a that this will work.

Playing video

4. Once the PA 64 and the video monitor are installed, connect your phone to the monitor using the HDMI adaptor cable and set your monitor's input to HDMI. Now whatever is playing on your mobile device, will also play on the monitor screen.
5. **Diagram 1.** Connect either the RCA audio output or headphone output from your video monitor into the AUX input on your PA 64. Generally, start with the volume on your mobile device AND your monitor to about 50%. If not loud enough, turn up your volume on your monitor's remote to a max of 90%. Then use the volume control on the phone or tablet control to fine tune from now on. If the sound is distorted, go 90% on your device and the balance on the monitor's remote.

Remember, the setting of the "Audio Mute" control on the front of the PA 64 can mute the video volume when the microphone is turned on, so do your testing with the microphone unplugged or turned off. For more information, please watch our PA 64 demo video on the www.ready2talkpa.com home page.

6. **Diagram 2.** In some cases, your phone or tablet will play video via HDMI into the video monitor AND can wirelessly send the sound directly into your stereo by BT. Because the sound from your stereo feeds into the PA 64, it automatically controls the music muting when the mic is used so do your testing with the microphone unplugged or turned off.

Note: The ability to use the BT function is controlled by the design of your stereo and your phone or tablet and will not work in all cases. But give it a try!

Hopefully this info has helped so how easy it is to use today's technology to add video in your van or minibus?

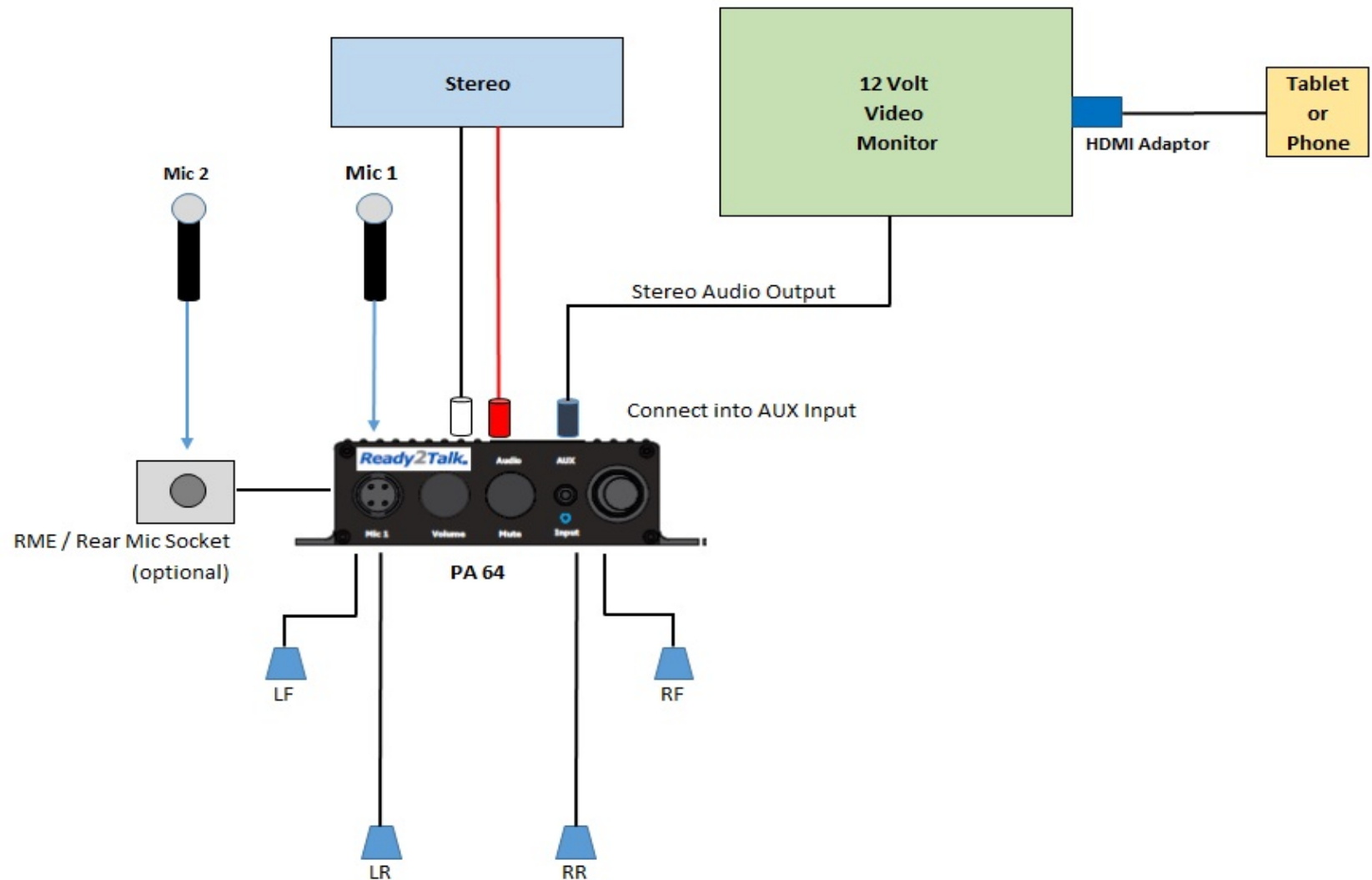
If you have ANY questions, please give us a call 1 888 724-5351.

The *Ready2Talk* Team

Diagram 1

Ready2Talk

Adding Video to your PA system
Playing the audio using the AUX input



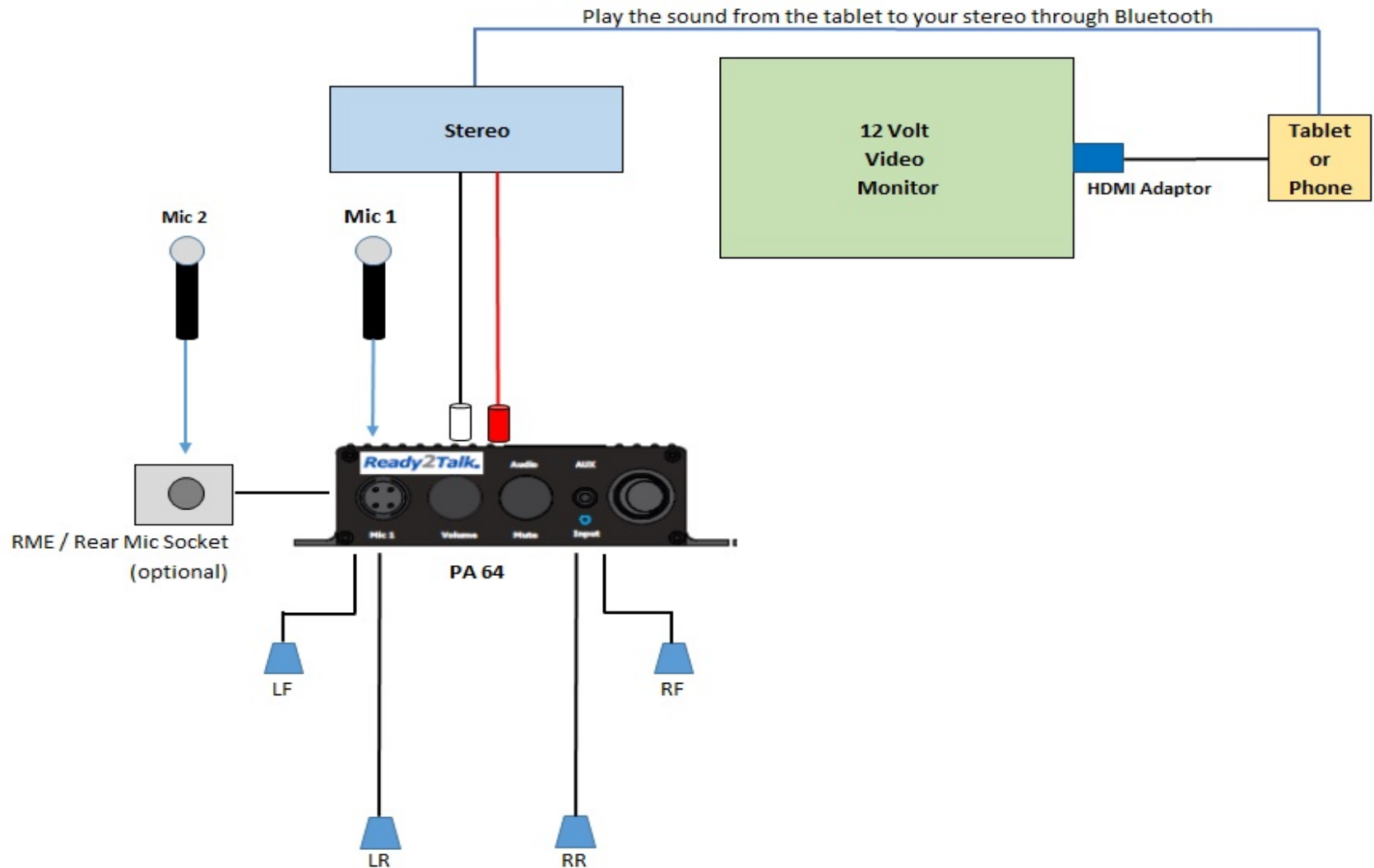
When connecting the audio output or headphone output from the video monitor into the PA 64's AUX Input, generally the iPad volume must be turned up close to 100%. Then the video sound is controlled by the volume control on the monitor's remote.

NOTE: The AUX input is controlled by the muting circuitry in the PA 64, so the video sound may be affected by the "Audio Mute" knob setting when the microphone is in use.

Diagram 2

Ready2Talk

Adding Video to your PA system Playing the audio by BT



Depending on your phone or tablet, you can play video into the monitor using a HDMI cable and possibly play the video sound into your stereo using BT. When doing this, the video sound is controlled by the stereo's volume control not the phone or tablet.

NOTE: The sound from your stereo is controlled by the muting circuitry in the PA 64, so the video sound may be affected by the "Audio Mute" knob setting when the microphone is in use.